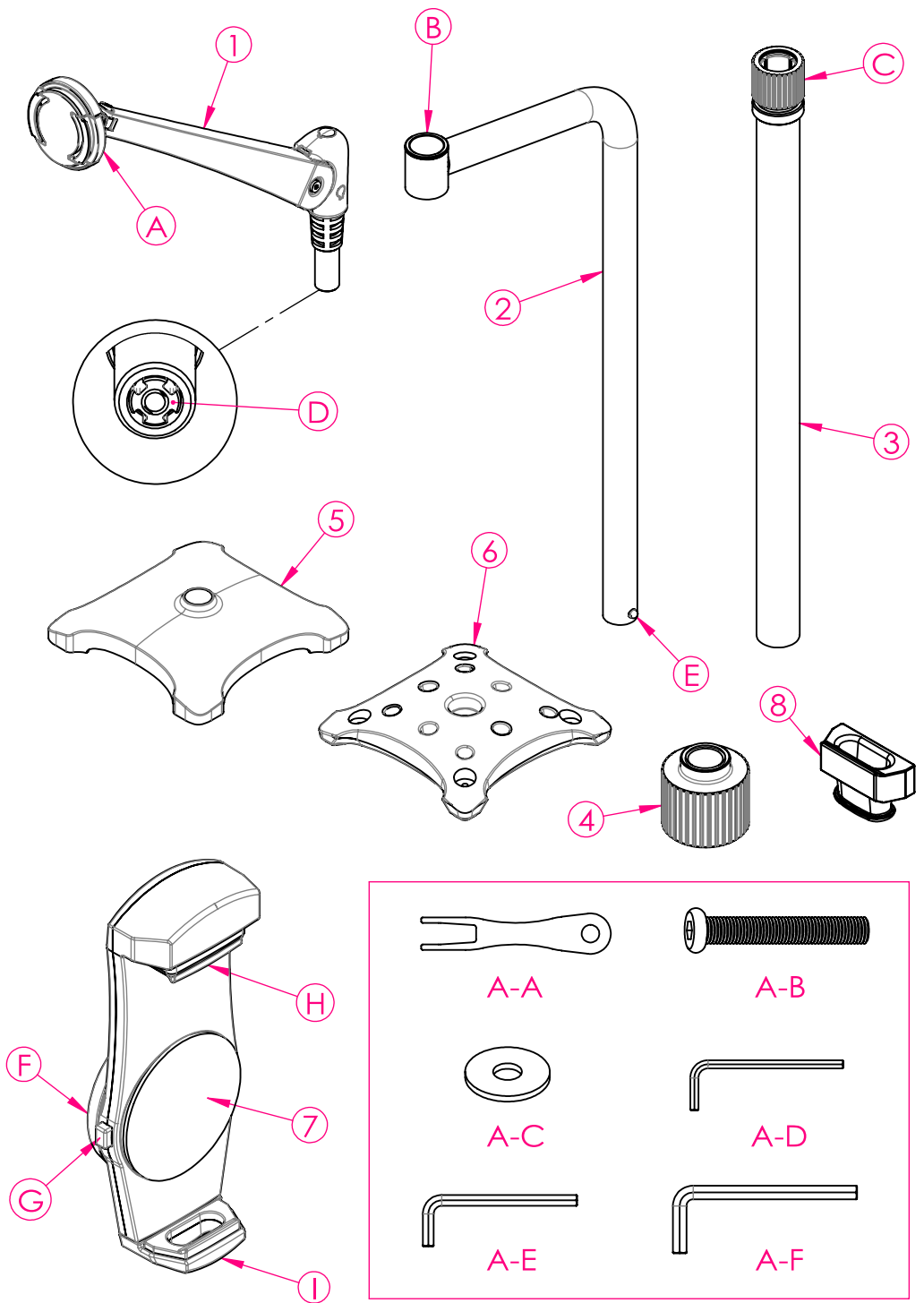


IPS-U
組裝說明書
Installation Instruction



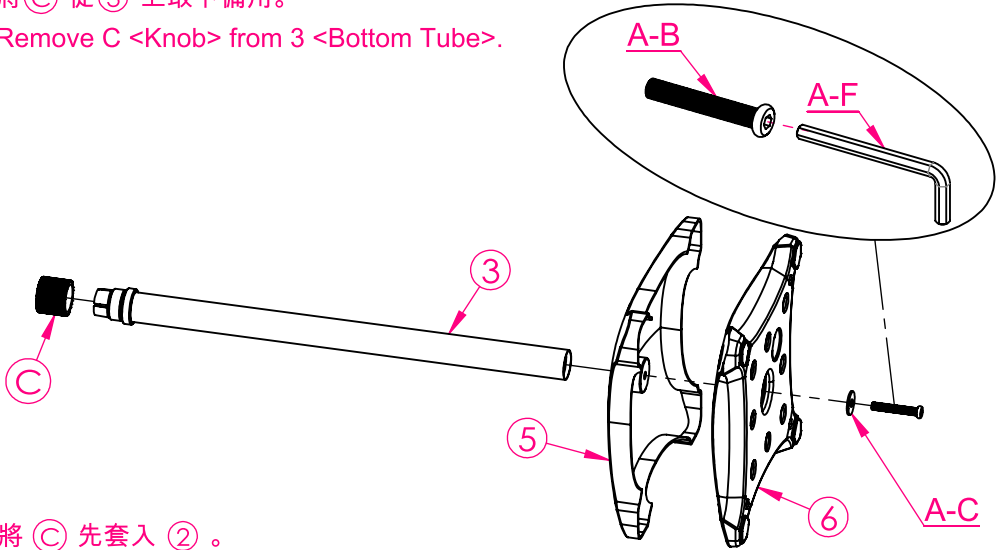
產品包 Product Component		
編號 Item	品名 Description	數量 Qty.
1	手臂支架 Arm	1
2	上下調整管 Adjustable Tube	1
3	固定管 Bottom Tube	1
4	手臂固定旋鈕 Knob	1
5	底座飾蓋 Base	1
6	配重塊 Counter Weight	1
7	通用支架 Universal Holder	1
8	可拆卸加厚墊 Detachable Thicken Rubber Pad	1
五金包 Hardware Kit		
A-A	調整工具 Wrench	1
A-B	M8*50mm 內六角平頭螺絲 M8*50mm Hex Socket Flat Head Cap Screw	1
A-C	Ø25*Ø8.5*2.0mm 鐵華司 Ø25*Ø8.5*2.0mm Steel Washer	1
A-D	3mm 六角扳手 3mm Allen Wrench	1
A-E	4mm 六角扳手 4mm Allen Wrench	1
A-F	5mm 六角扳手 5mm Allen Wrench	1

部位功能說明 Special Function	
編號 Item	品名 Description
A	通用支架固定壓板 Attachment Button
B	手臂管轉軸套 Bushing
C	調整管固定旋鈕 Knob
D	手臂調整螺母 Nut
E	小V彈片-單珠 V Shape Spring-Single Side Bead
F	通用支架固定槽 Attachment Socket
G	上下伸縮壓扣 Button for Vertical Extension
H	上夾架 Up Bracket
I	下夾架 Down Bracket

手臂支架組裝說明：

Arm Installation steps :

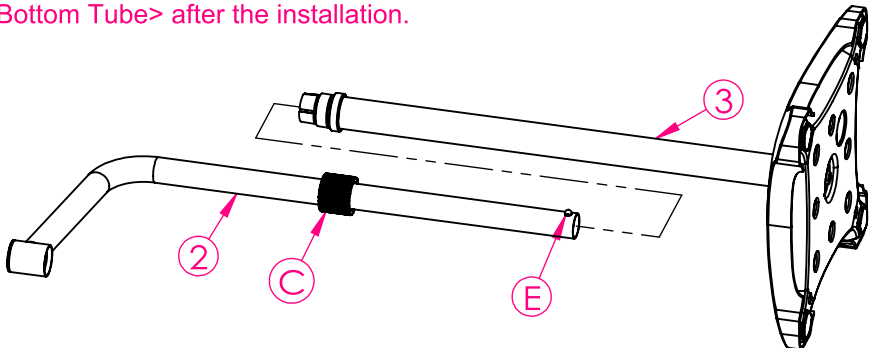
1. 使用 A-F 將 A-B 依序穿過 A-C、⑥、⑤ 後，鎖入 ③，並確保鎖緊螺絲。
1. Use A-F <5mm Allen Wrench> to screw A-B < Hex Socket Flat Head Cap Screws > through the order of A-C <Steel Washer>、⑥ <Counter Weight>、⑤ <Base Cover> into ③ <Bottom Tube>. Be sure to tighten the screw firmly.
2. 將 ③ 從 ③ 上取下備用。
2. Remove C <Knob> from 3 <Bottom Tube>.



3. 將 ③ 先套入 ②。
3. Fit ③ <Knob> over ② <Adjustable Tube>.
4. 將 ② 插入至 ③ 並調整所需高度後將 ③ 鎖緊。
4. Insert ② <Adjustable Tube> into ③ <Bottom Tube> and tighten ③ <Knob> after adjusting to the desired height.

※ 需將 ⑤ 下壓後才可插入，插入後 ② 將無法再取出。

※ Press ⑤ <V Shape Spring> first before insert ② <Adjustable Tube> into ③ <Bottom Tube>. It will be unable to plucked ② <Adjustable Tube> from ③ <Bottom Tube> after the installation.

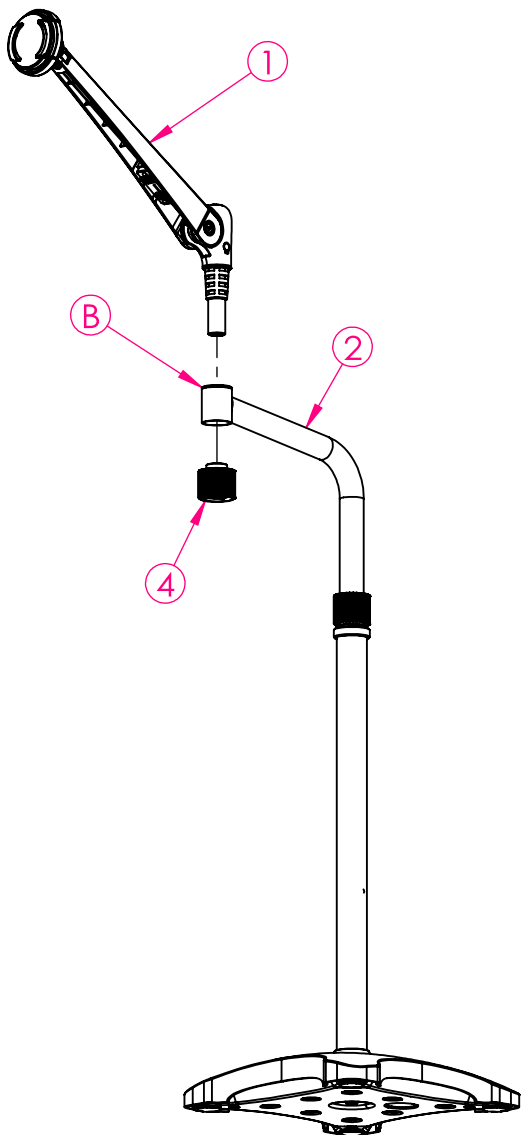


5. 將①插入至②並調整所需視角後將④鎖緊。

5. Insert ① into ②. Adjust the desired view angle and then turn ④ until tight.

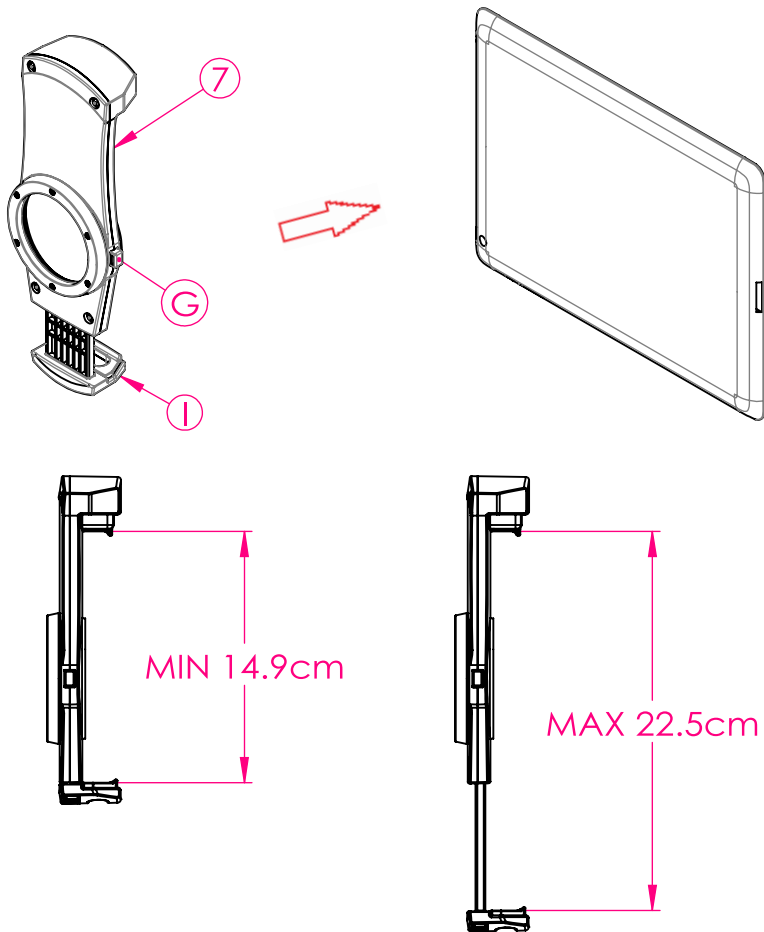
注意：②管內必須有③塑膠軸套，請查看有無套入。

Note: It is essential to include ③ <plastic bushing> into ② <Adjustable Tube> during the installation, therefore, check if ③ <plastic bushing> is included before assembly.



通用支架組裝說明

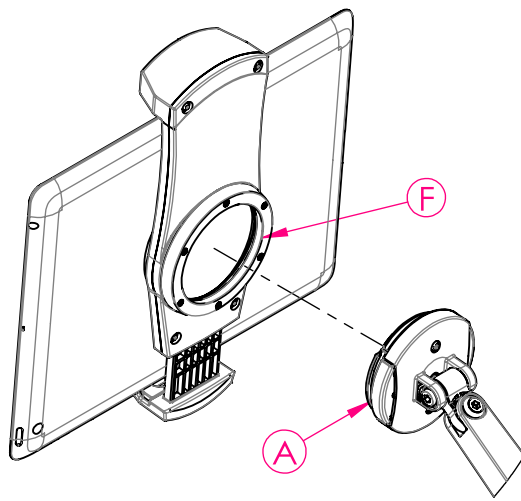
Universal Holder Installation Steps



1. 將 ⑦ 按住後，將 ① 拉開到大於螢幕長度，放鬆 ⑥。
1. Press ⑥ <Button for Vertical Extension> to extend ① <Down Bracket> till the length of holder is larger than the screen.
2. 將螢幕放入 ⑦ 後按住 ⑥，並將 ① 往回推直到夾緊螢幕，放鬆 ⑥。
2. Put the screen onto ⑦ <universal holder> and press ⑥ <Button for Vertical Extension> to push ① <Down Bracket> back till the screen is clamped firmly.

* 注意：裝入後請檢查是否有卡緊，避免平板滑落損壞。

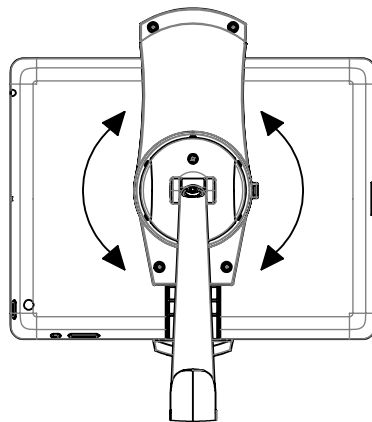
* Note: Please check if screen is clamped firmly with the holder after installation to prevent screen from sliding and damaged.



3. 將 (A) 往內側壓入後可取下或裝入 (F) 。

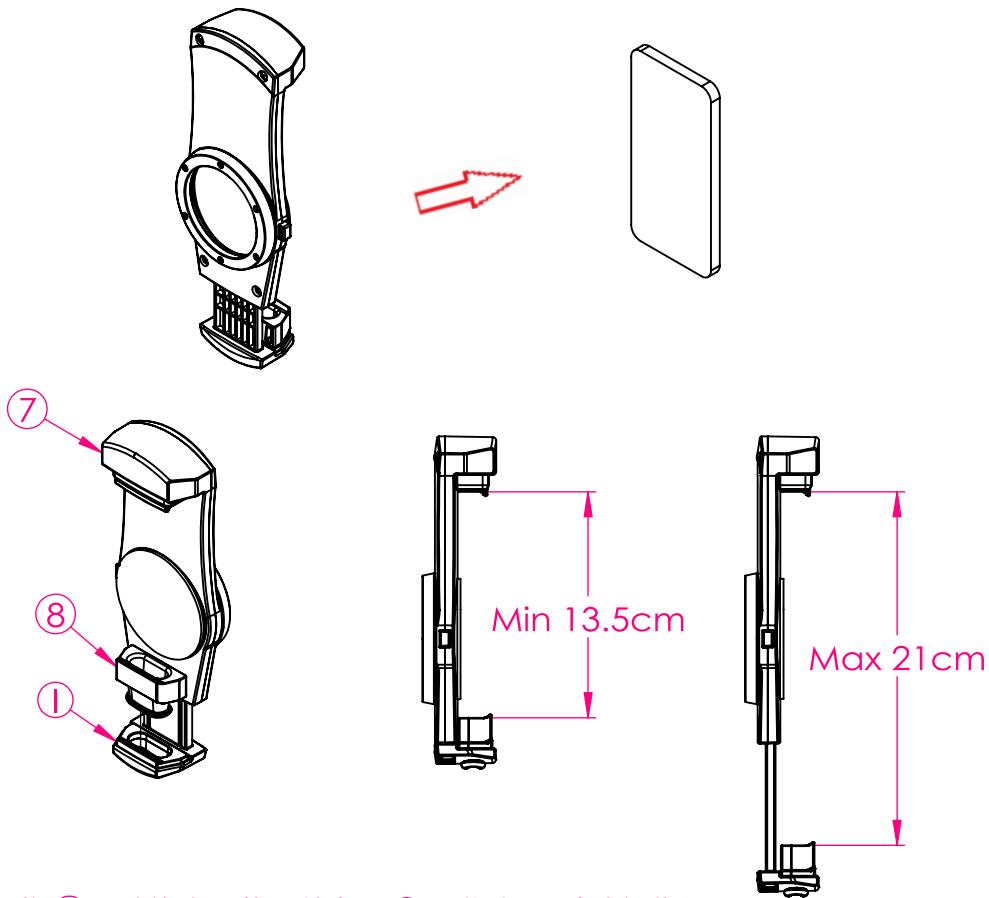
3. Press (A) <Attachment Button> to attach or detach (F) <Attachment Socket>.

安裝完成圖
Attachment Finished Sketch



組立後即可輕鬆旋轉螢幕、調整俯仰角度，獲得絕佳視覺體驗。
Rotating and tilting the screen easily to get the best viewing experience after installation.

可拆卸加厚墊組裝說明 Thicken Rubber Pad Installation Steps



1. 將 ⑧ (可拆卸加厚墊) 下端穿過 ① 長條孔，即完成組裝。

1. Attach ⑧ < Thicken Rubber Pad > into the hole of ⑦ <universal holder's>
① < down bracket >.

當需要將手機安裝到本產品上時，因手機尺寸的不同，
可能需要增加可拆卸加厚墊來安全的固定手機。

加裝加厚墊後的組立方式可參考P5。

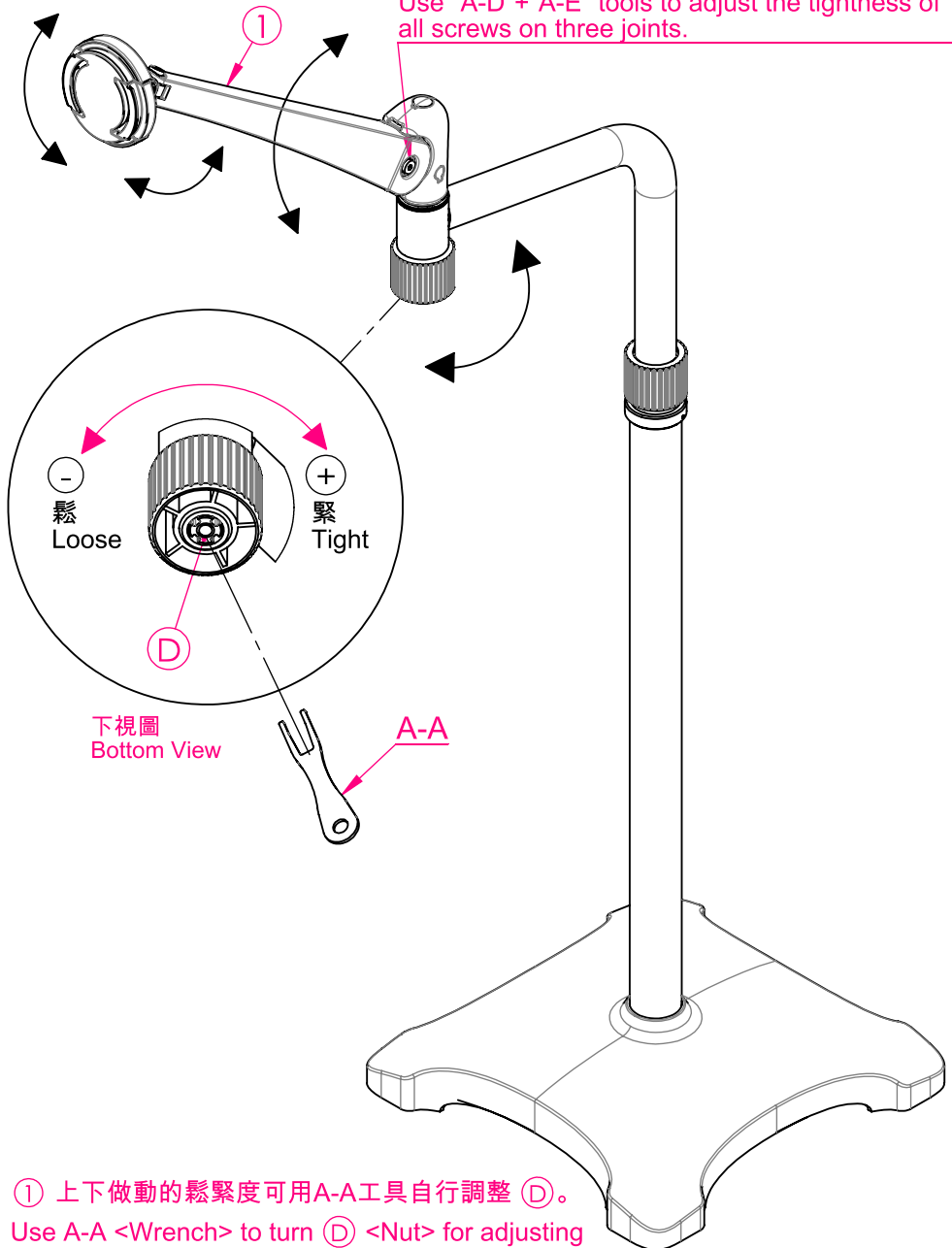
It may be necessary to add a thicken pad to fix the phone securely when users choose to clamp mobile phone on this product due to the variety size of the mobile phone. Please refer to P.5 for the clamping method of universal holder and mobile device.

安裝加厚墊後適用尺寸為13.5至21cm。

The applicable size is 13.5 - 21cm after applying the thicken rubber pad.

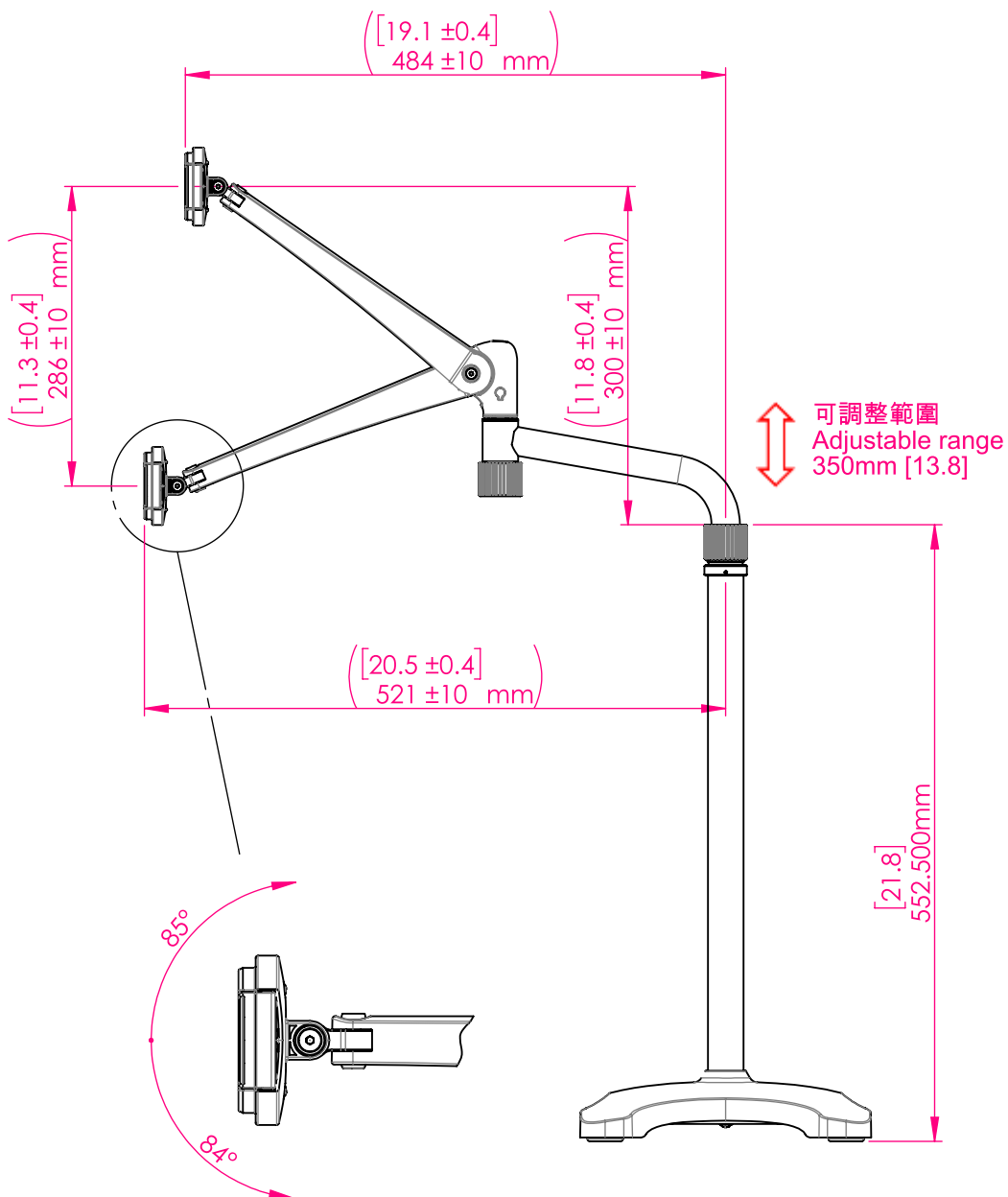
手臂支架調整方式 Arm Adjustment Function

三個關節處的螺絲全用"A-D"+"A-E"工具調整鬆緊度。
Use "A-D"+"A-E" tools to adjust the tightness of all screws on three joints.



- ※ ① 上下做動的鬆緊度可用A-A工具自行調整 ②。
- ※ Use A-A <Wrench> to turn ② <Nut> for adjusting the tightness of ① <Arm's> vertical movement

※ 手臂延伸距離會因不同螢幕重量下的彈簧張力而有所差異
※ The distance of the arm stretch is varies from the spring tension which will adjust according to screen's weight.



此頁空白

This page intentionally left blank.

