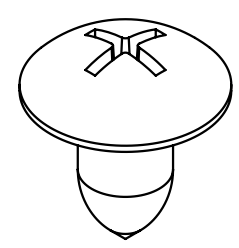
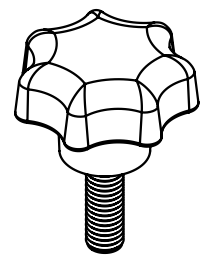
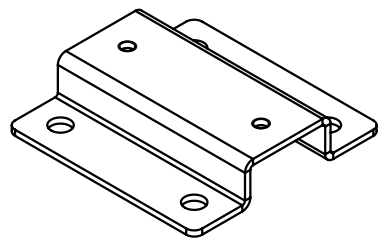
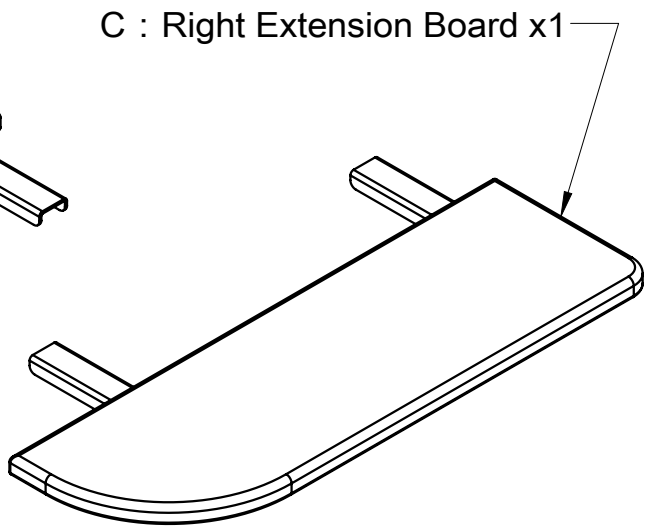
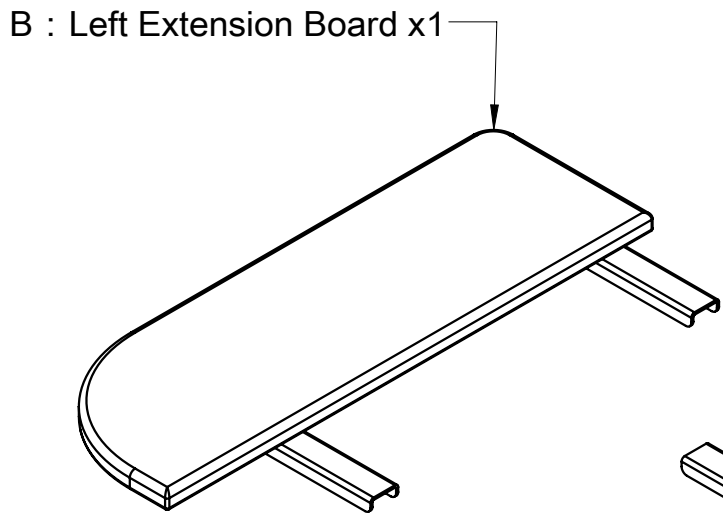
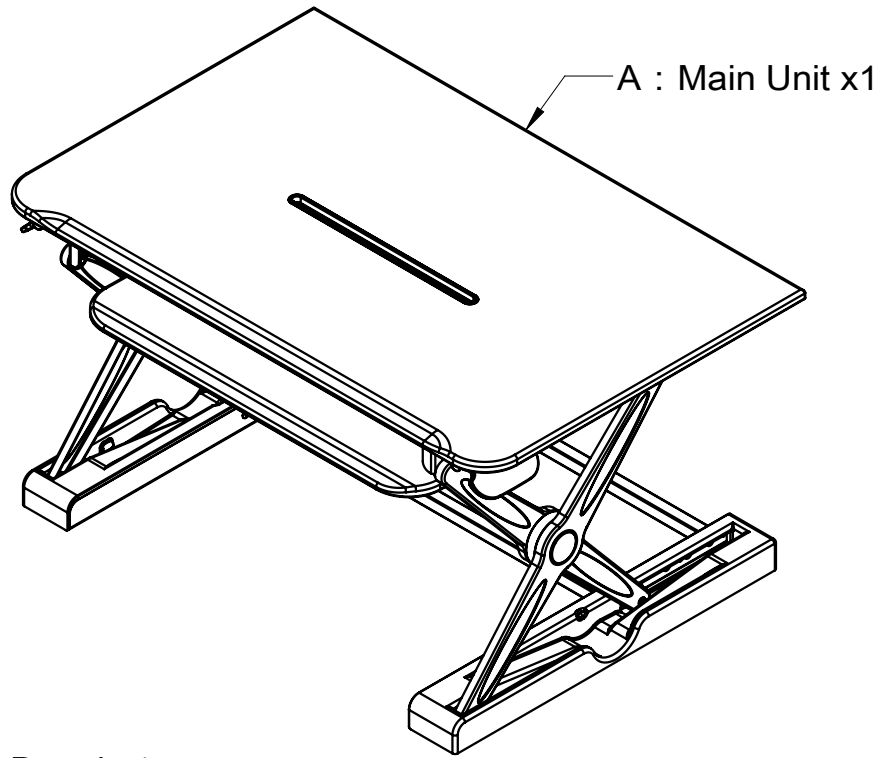


SP101E
Extension Board
Instructions (V1)



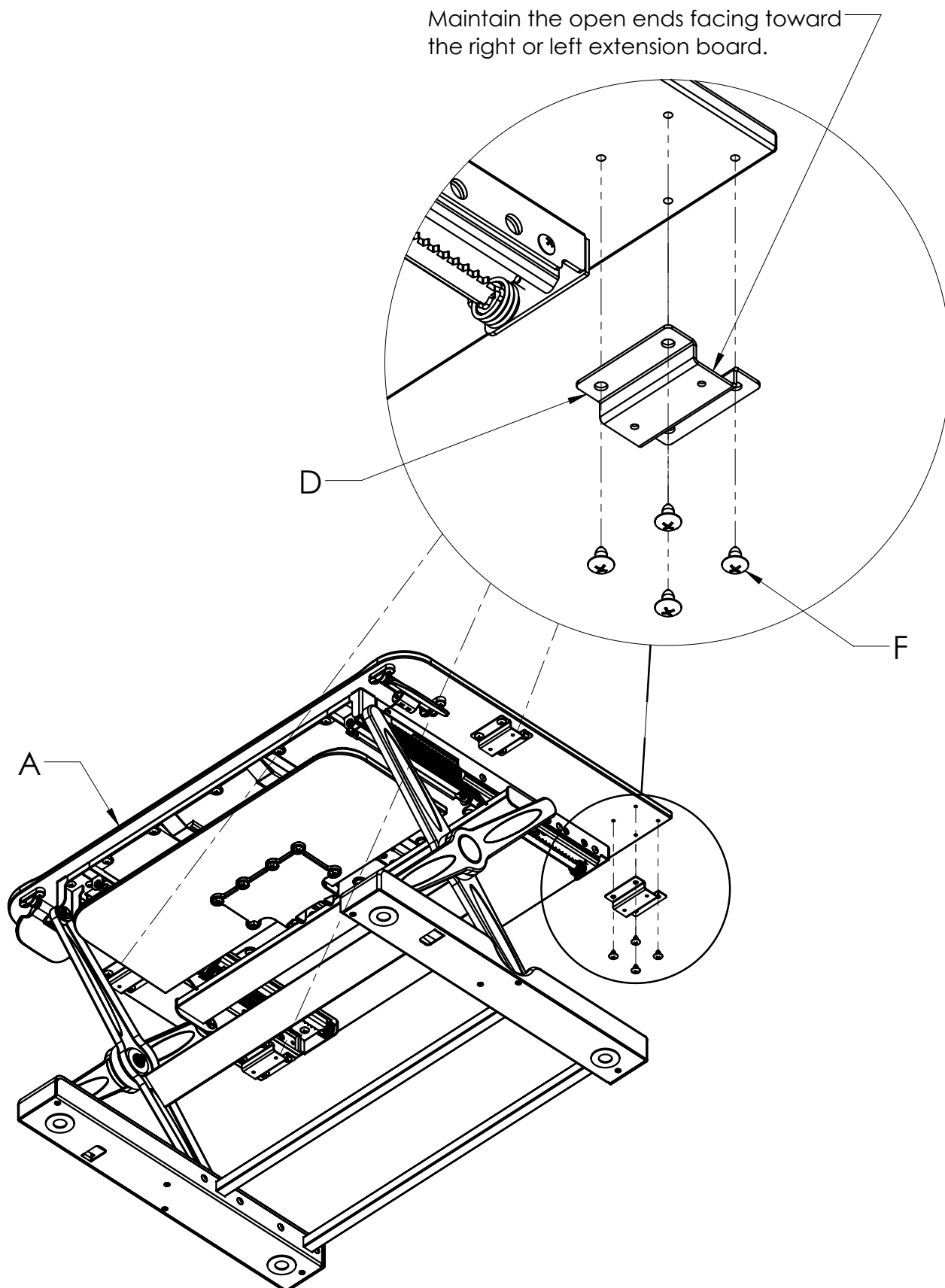
For a safer and easier installation process, it's highly recommended to place the main unit upside down on a flattened surface before starting the following steps.

Step 1:

Use the wood screws (F) to secure the brackets (D) against the reverse side of the desktop on the main unit (A). Both already come with corresponding guiding holes.

For either side of the extension boards, 2 sets of brackets (D) have to be installed on the desktop where the guiding holes applied. Use the rest 2 sets of brackets (D) to do the same on the other side.

Note. Please make sure that the hollow space of 4 brackets is placed horizontal to the longer side of desk, not vertical.

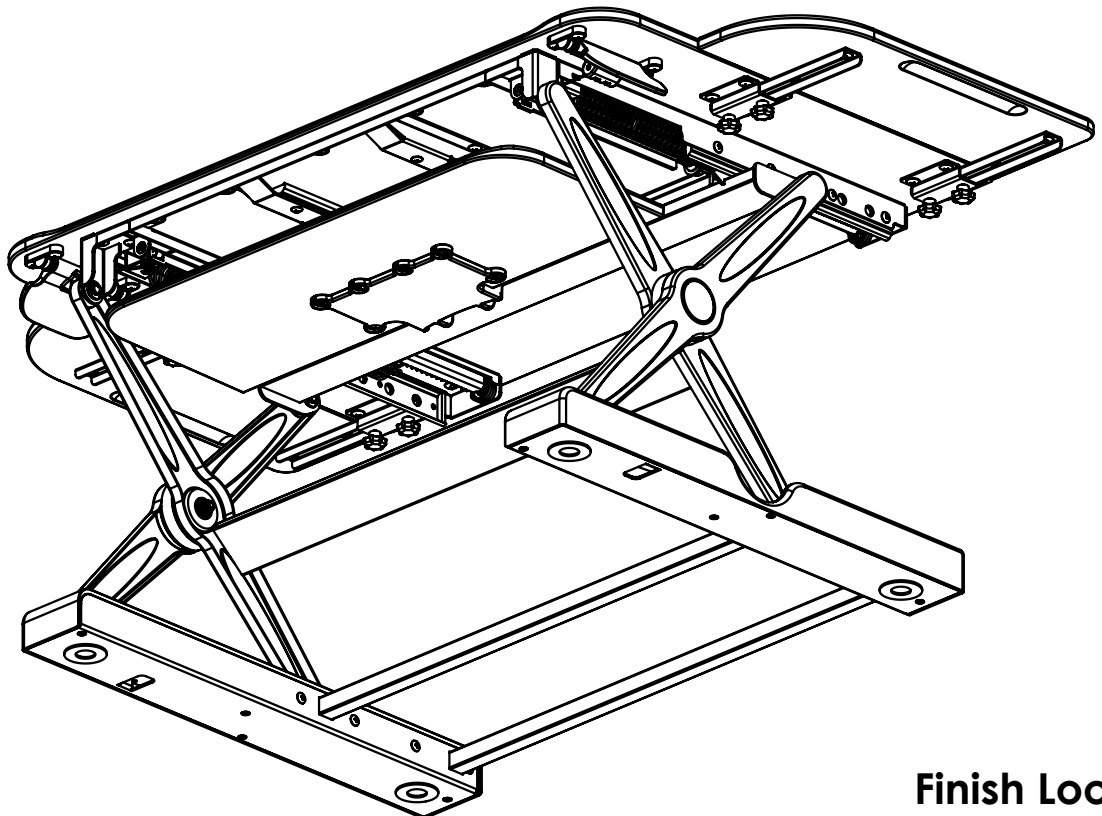
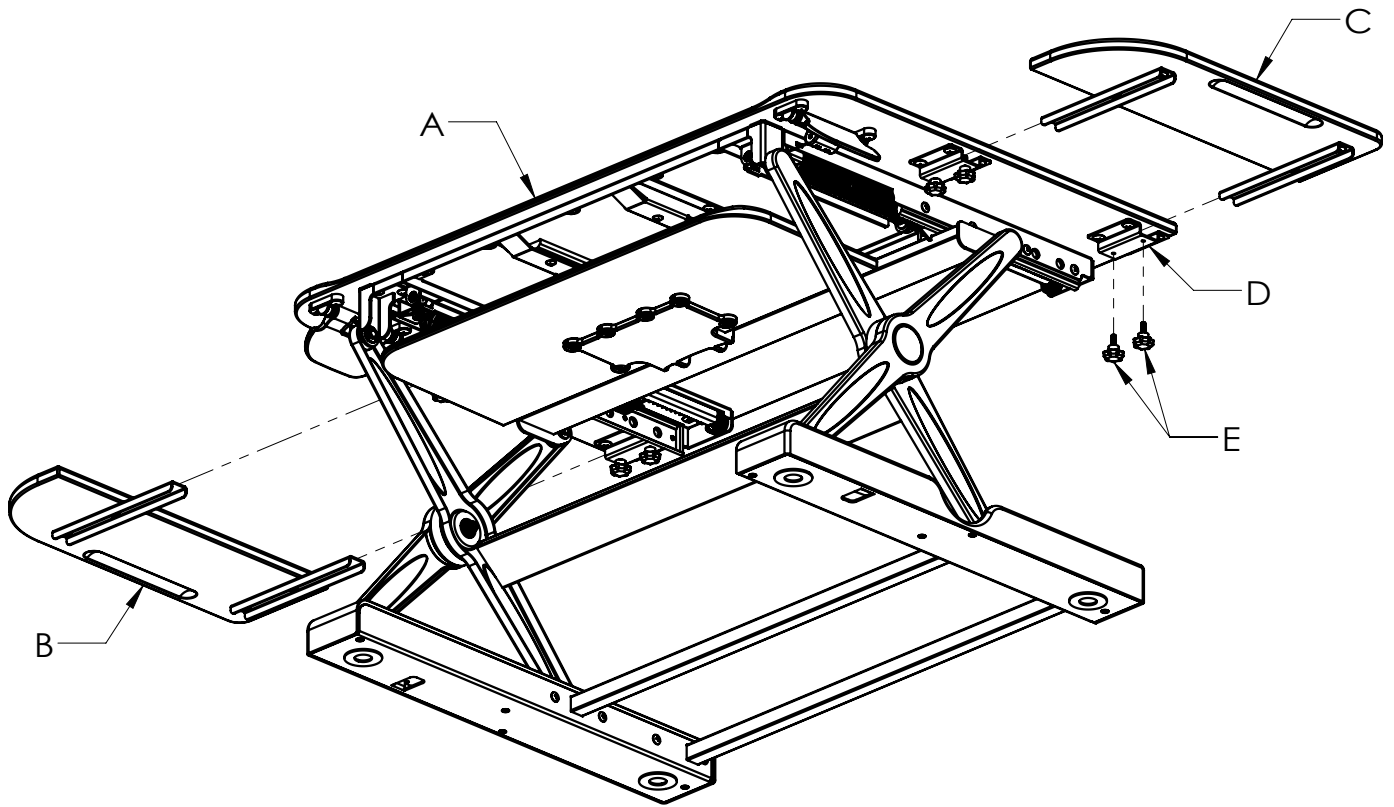


Step 2:

First insert either of the extension board (B or C) into the brackets (D).

Next, use 2 knobs (E) on each bracket when fastening this side.

Do the same on the other side, and use the rest of 4 knobs to fasten this side.



Finish Look