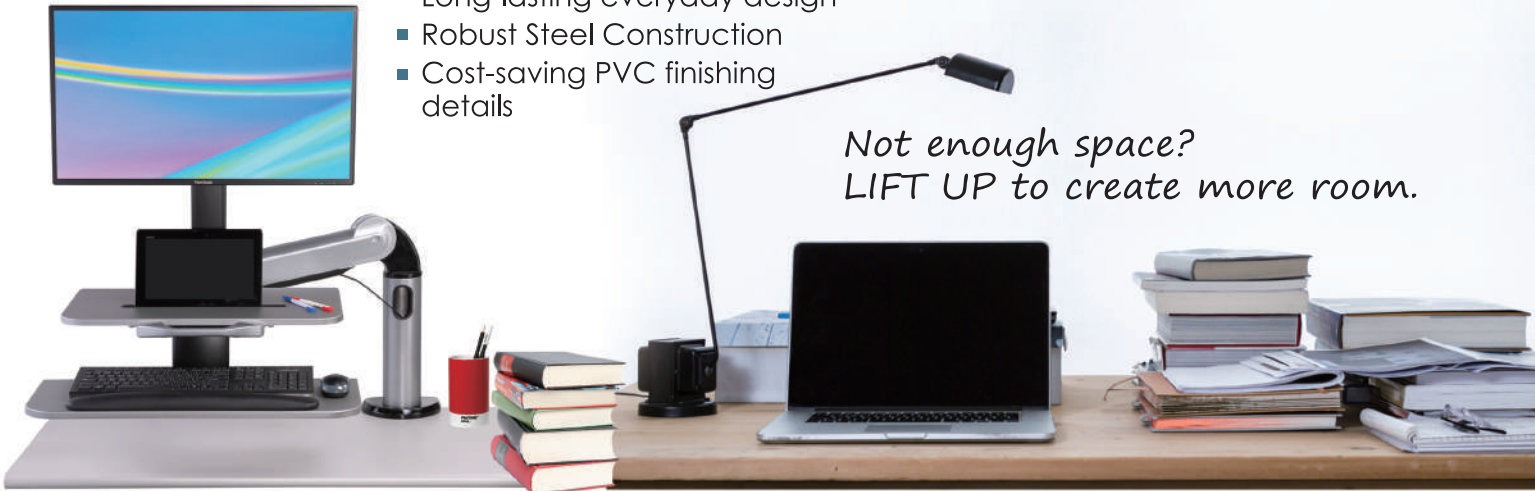


Classic Sit-Stand Workstation

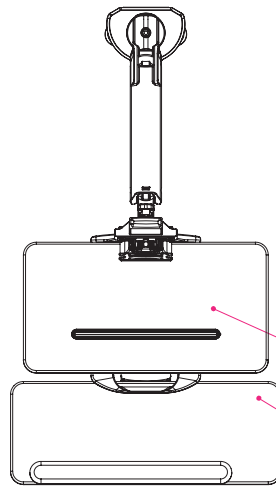
SP203 & SP203A Sit-Stand Workstations are offered with simple and classic design concept which will fit in user's daily working environment nicely. The products' powerful functionality can help users to easily adjust their positions, from sitting to standing or to personalize his or her work settings to comfortable heights, with flexible vertical and horizontal movements. Apart from extra work space is instantly provided on top of the existing desktop, the workspaces are designed to move with and around the users to stimulate more interaction and reduce physical limitation.

- Long-lasting everyday design
- Robust Steel Construction
- Cost-saving PVC finishing details



*Not enough space?
LIFT UP to create more room.*

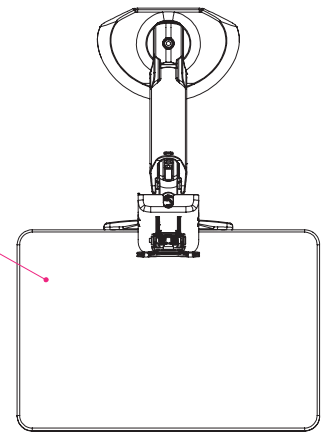
watch now



600x400mm
23.6"x15.7"

Top
570x305 mm / 22.4"x12"

Secondary
630x240 mm / 24.8"x9.4"



Fits 1 or 2 monitor(s) **SP203**

Color Options

Single ≤32"



Dual ≤ 27"/EA



Black



White



Silver

Equips with 1 or 2
worksurface(s) **SP203A**

1-Tier



2-Tier



Black



White



Silver

SP203 & SP203A

Manual Sit-Stand Workstation

Payload Capacity



(S) (D) total up to 27 lbs / 12.2 kgs including monitors and worksurfaces

Monitor Rotation



(S) (D) 360°

Monitor Height Adjustment Range

220 mm / 8.7"

Tilt

(S) (D) ±20°

* Dual Monitor Holder Sliding Distance

260 mm / 10.2" either side (Left or Right)

Base

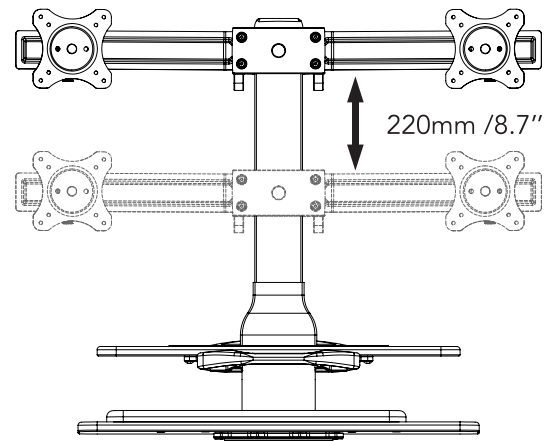
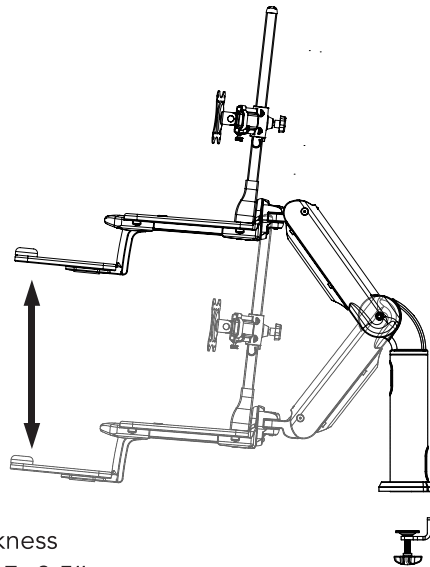
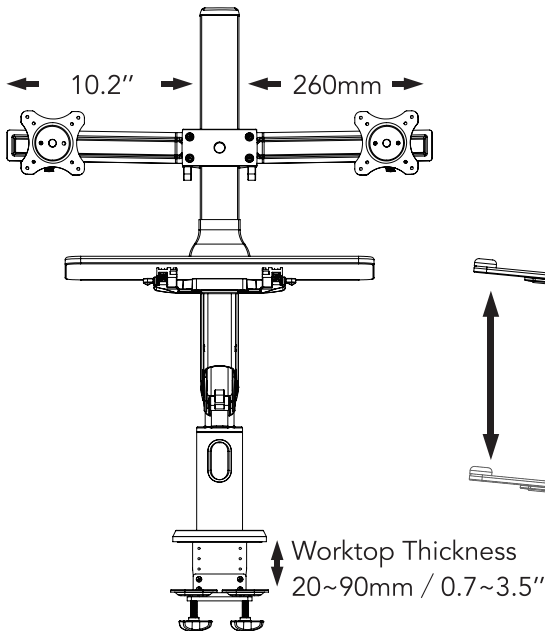
Clamp with Plastic (ABS) Cover

Worktop Thickness

20-90 mm / 0.7"-3.5"

Mechanism

Spring-assisted



SP203

SP203A

Worksurface Material

MDF

Worksurface Finish

PVC Finish

Top Worksurface

305 mm D x 570 mm W
12" x 22.4"

400 mm D x 600 mm W
15.7" x 23.6"

Slot Groove for Tablet or Smartphone



Retractable Keyboard Platform

240 mm D x 630 mm W
9.4" x 24.8"



Cable Management



Framework Material

Steel & Iron



C.D. Great Furniture | www.cdgreat-officefurniture.com |
cd.great@msa.hinet.net | +886-4-2567-9181