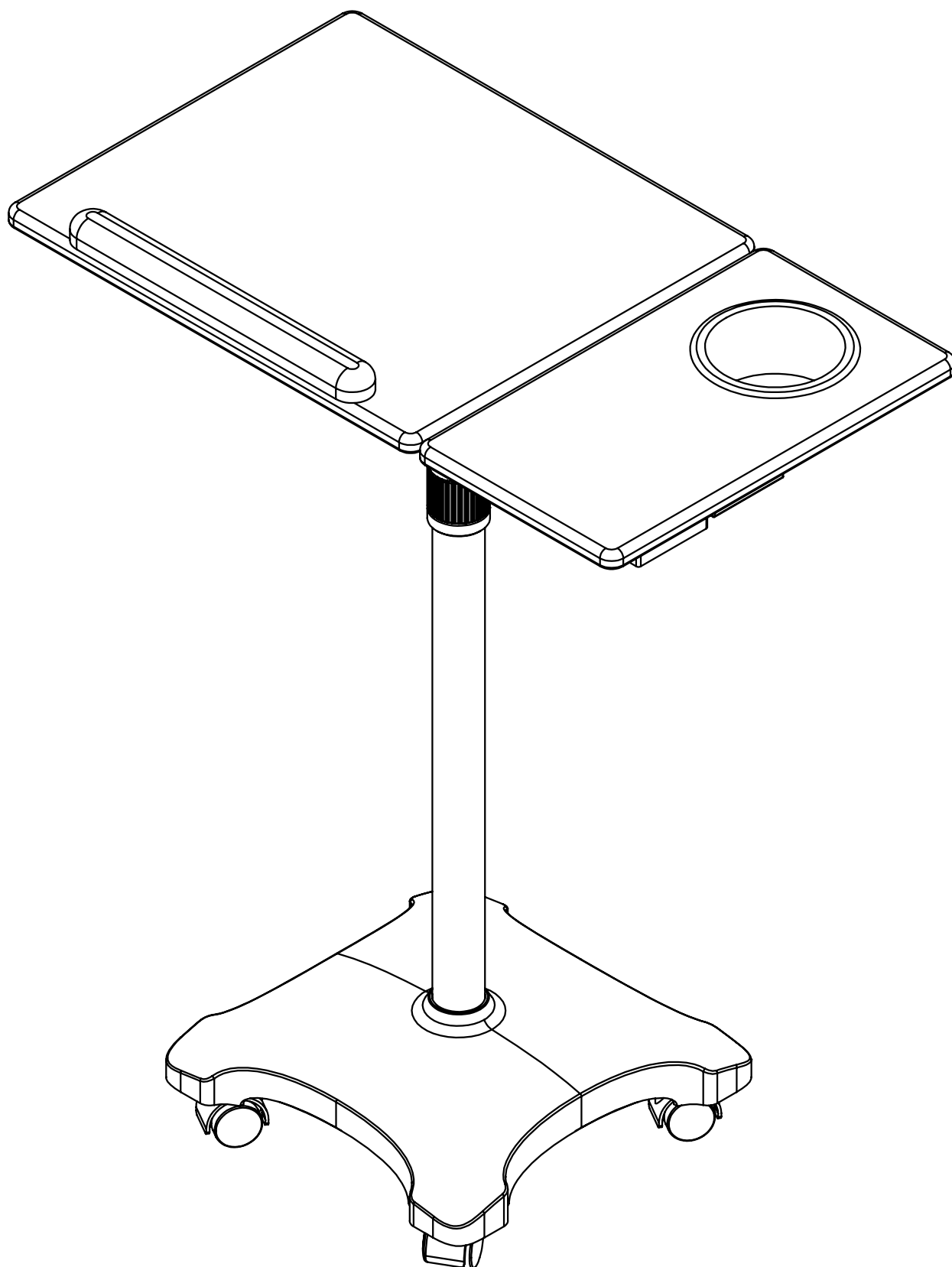


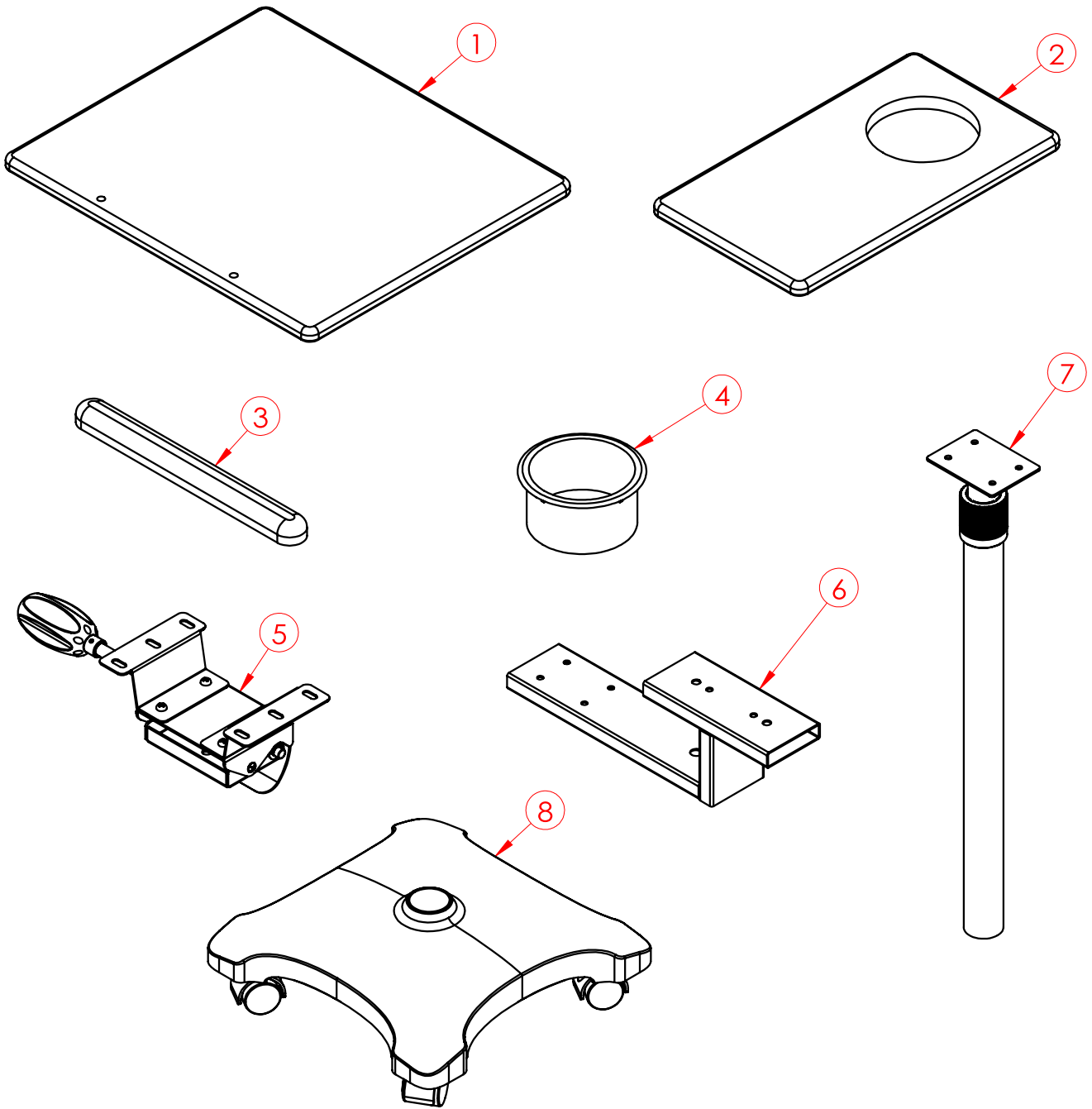
移動式升降筆電桌

Mobile Laptop Desk with Side Table




Made in Taiwan

SP901-B
組裝說明書-V2
Installation Instruction



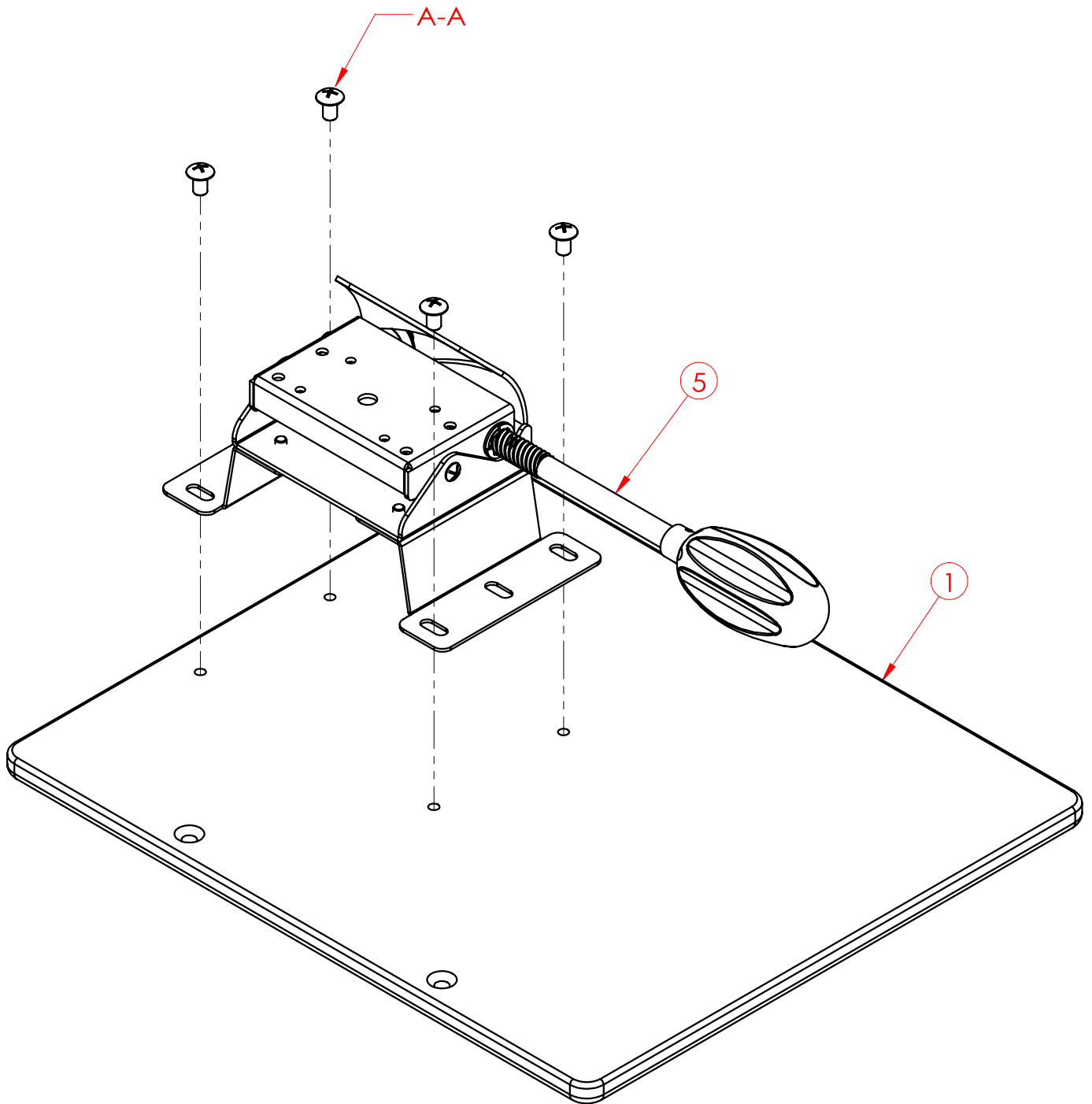
零件包編號 Part No.	單件編號 Sub-part No.	單包數量 Sub-part Qty.	規格 Description	零件包數量 Part Qty.
SP901B	1	1	主桌板 Main Table	1
	2	1	側桌板 Side Table	1
	3	1	桌板靠墊 Non-Slip Cushion	1
	4	1	杯架 Cup Holder	1
	5	1	傾斜機構 Tilting Mechanism	1
	6	1	側桌板架 Side Table Bracket	1
	7	1	伸縮管 Adjustable Tube	1
	8	1	底座組 Base	1

零件包編號 Part No.	零件包數量 Part Qty.	單件編號 Sub-part No.	單件數量 Sub-part Qty.	規格 Description	圖示 Image
A-1	1	A-A	6	1/4" x 10mm 螺絲 1/4" x 10mm Philips Screw	
		A-B	2	M6 x 20mm 皿頭螺絲 M6 x 20mm Philips Screw	
B-1	1	B-A	4	M5 x 20mm 螺絲 M5 x 20mm Philips Screw	
C-1	1	C-A	1	M8 x 50mm 內六角平頭螺絲 M8 x 50mm Screw	
		C-B	1	Ø25 x Ø8.5 x 2.0mm 鐵華司 Ø25 x Ø8.5 x 2.0mm Steel Washer	
		C-C	1	5mm 六角扳手 5mm Allen Wrench	
D-1	1	D-A	1	11mm六角套筒 11mm Hexagon Socket	

※需自備十字螺絲起子
 ※ADDITIONAL TOOLS REQUIRED
 •Phillips screwdriver

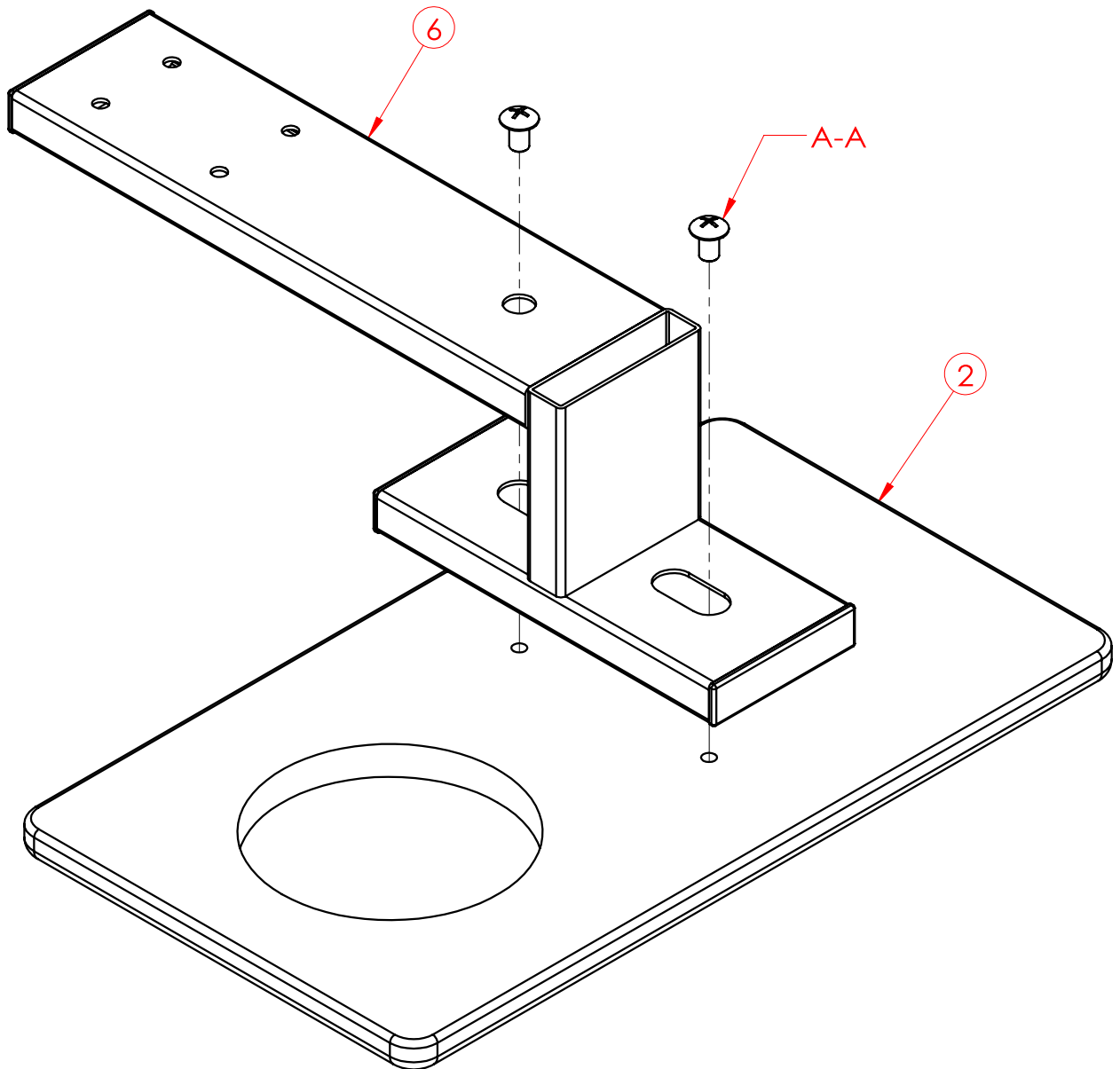
步驟一：使用十字螺絲起子將(A-A) 螺絲穿過⑤傾斜機構後鎖入①主桌板。

Step1:Screw ⑤ <tilting mechanism> into the back of ① <main table> with (A-A) phillips screw by phillips scwdriver.



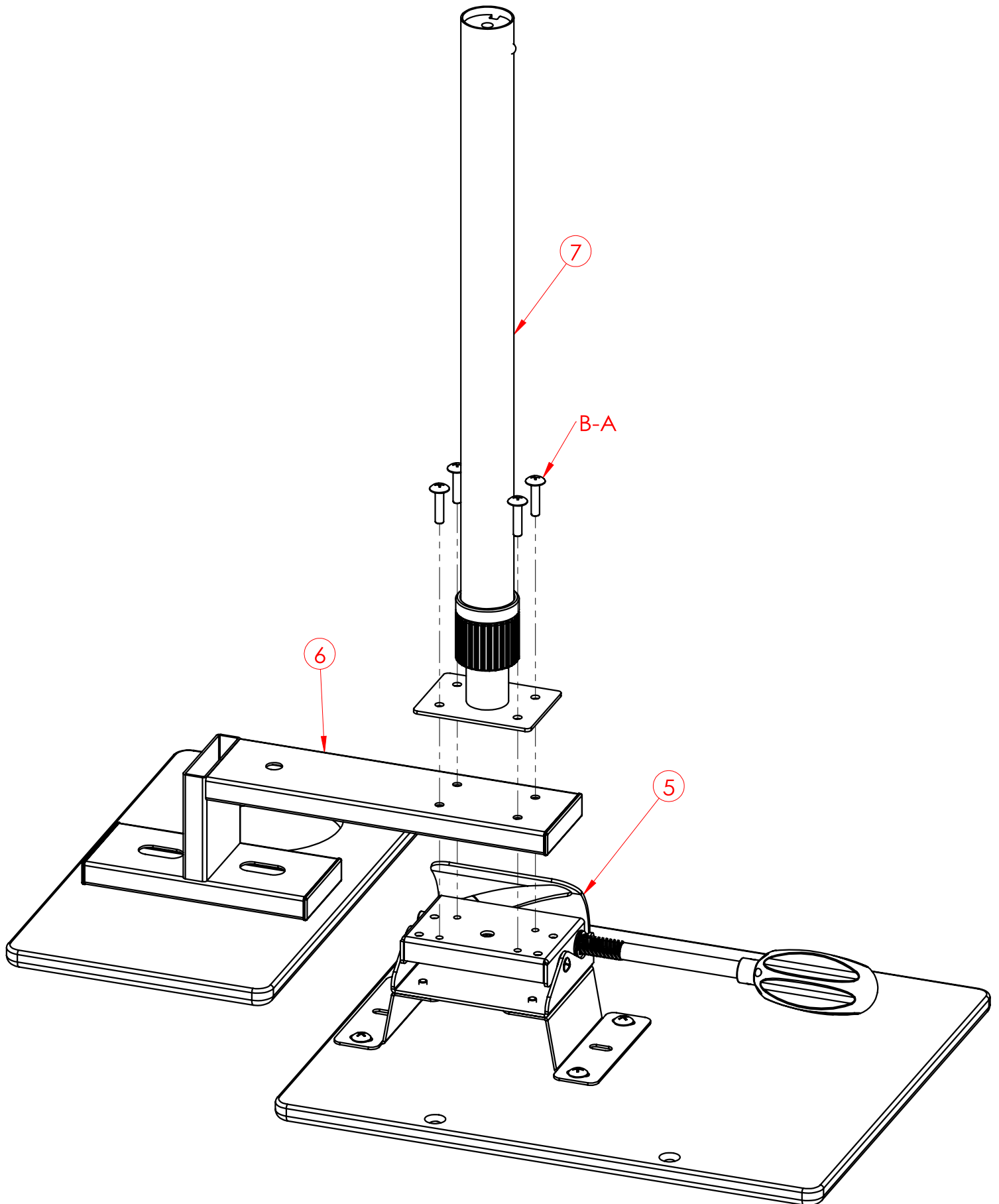
步驟二：使用十字螺絲起子將(A-A)螺絲穿過⑥側桌板架後鎖入②側桌板。

Step2: Screw ⑥ <side table bracket> into the back of ② <side table> with (A-A) phillips screw by phillips screwdriver.



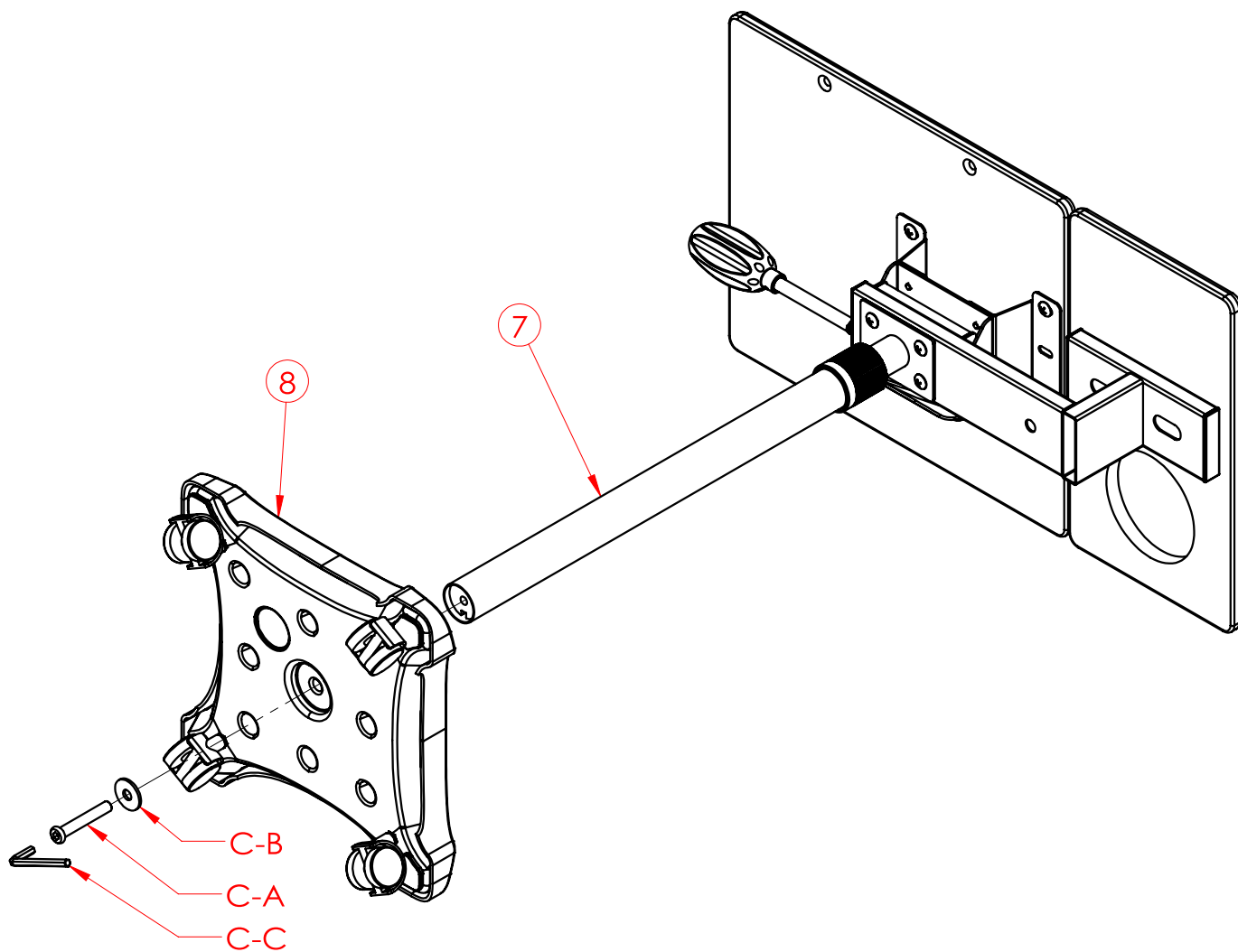
步驟三：使用十字螺絲起子將(B-A)螺絲穿過⑦伸縮管以及⑥側桌板架後，鎖入⑤傾斜機構。

Step3 : Screw (B-A) phillips screw through the order of ⑦ <adjustable tube> and ⑥ <side table bracket> into the bottom of ⑤ <tilting mechanism> by phillips scwdriver.



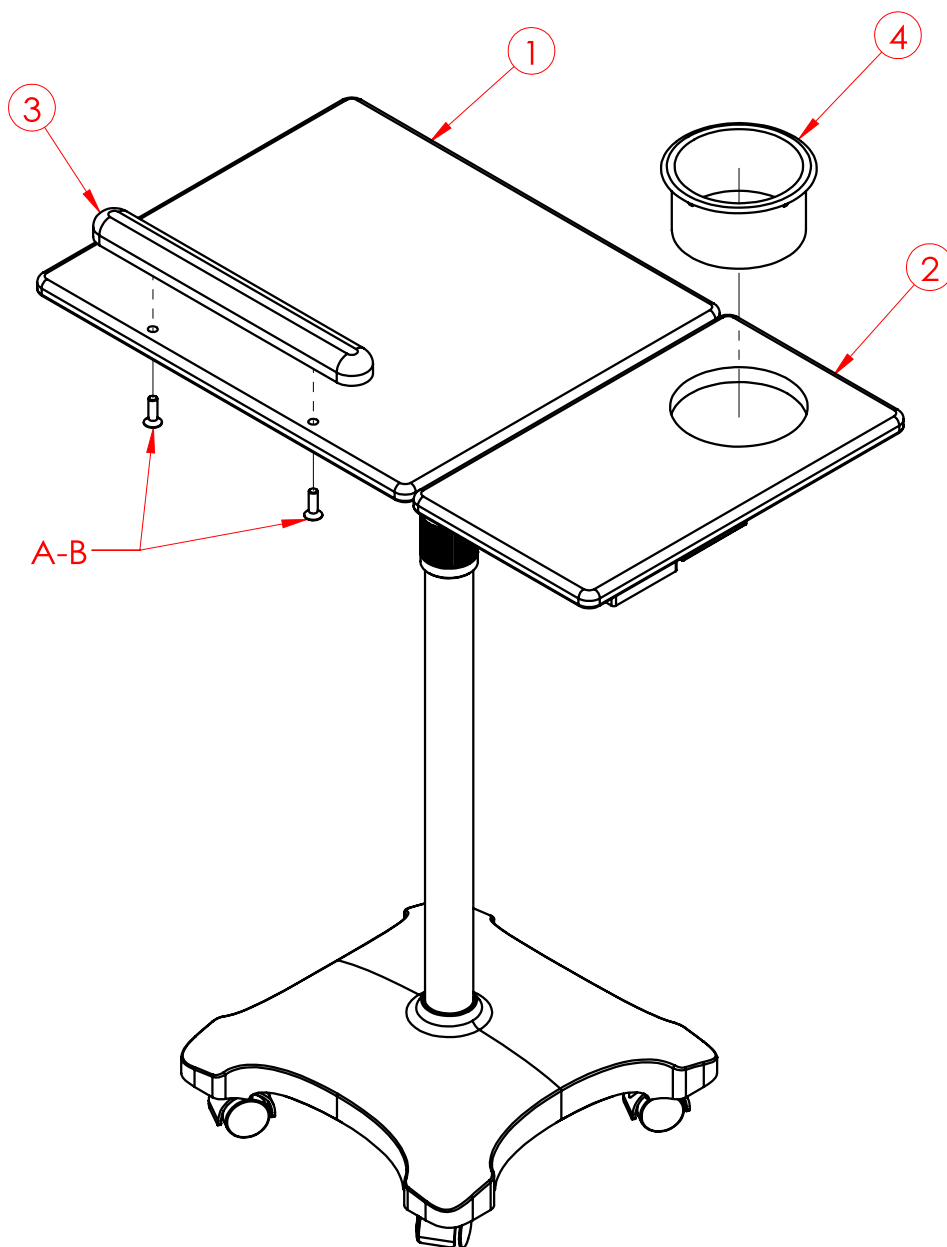
步驟四：使用(C-C)六角扳手將(C-A)螺絲穿過(C-B)鐵華司、⑧底座組後，鎖入⑦伸縮管完成組裝。(請務必將螺絲鎖到最緊，確保產品不會搖晃。)

Step4:Use (C-C)Allen Wrench to screw (C-A) Screw through the order of (C-B) Steel Washer, ⑧ <Base> into ⑦ <adjustable tube>.Lock the screw to the tightest to avoid wobble.



步驟五：使用十字螺絲起子將(A-B)十字皿頭螺絲螺絲穿過①主桌板後鎖入③桌板靠墊。
將④杯架放入②側桌板，完成組裝

Step 5:Screw (A-B) phillips screw through the bottom of ① <main table> into ③ <non-slip cushion>
by phillips scwdriver.Put ④ <cup holder> into ② <side table>.

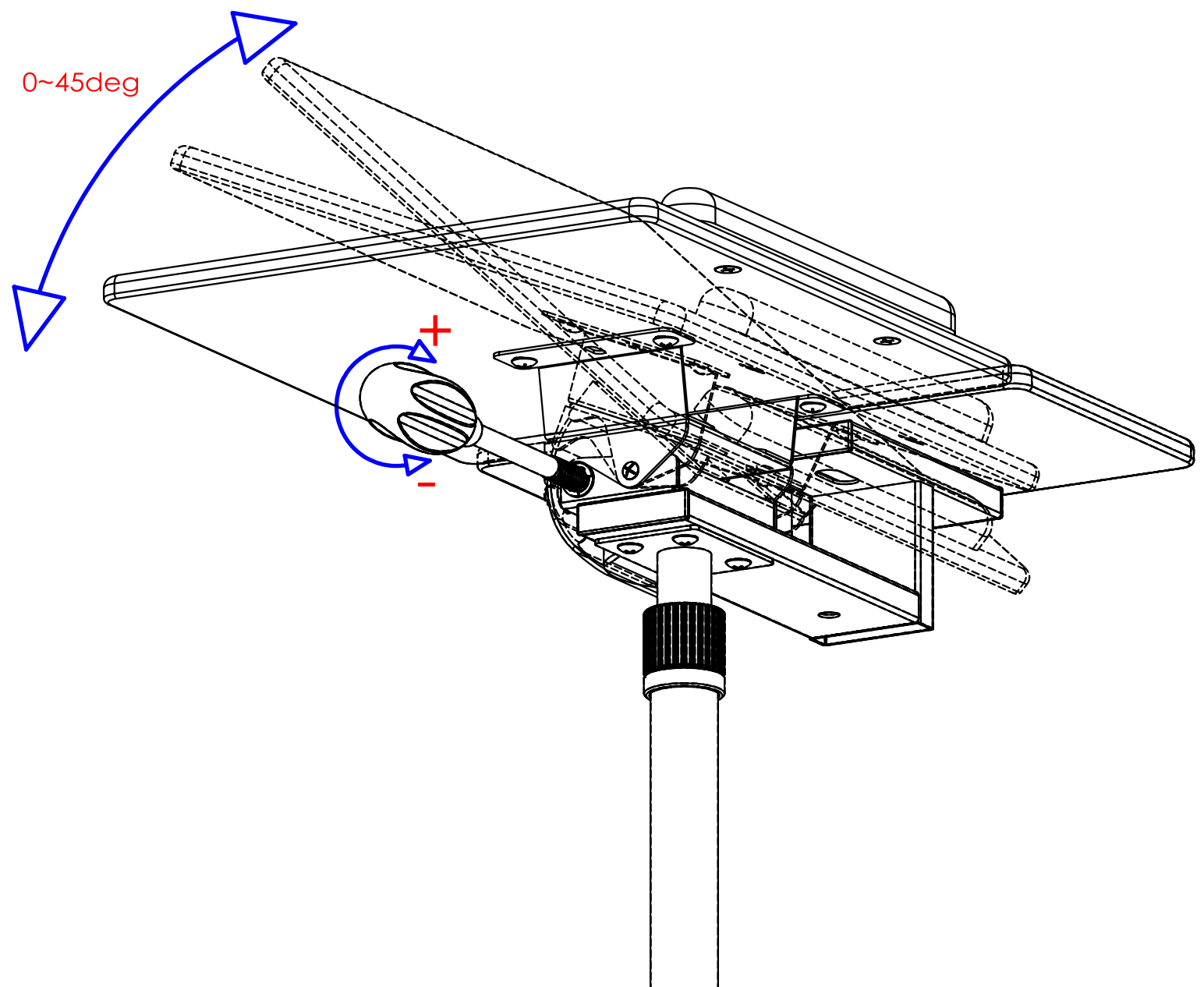


桌板傾斜度調整

轉動筆電桌左側的手把，順時針轉動會增加桌板傾斜角度，逆時針轉動會降低桌板傾斜角度

Tilting Function

Turn the tension knob in clockwise to increase the tilt angle, counter-clockwise to narrow the tilt angle.



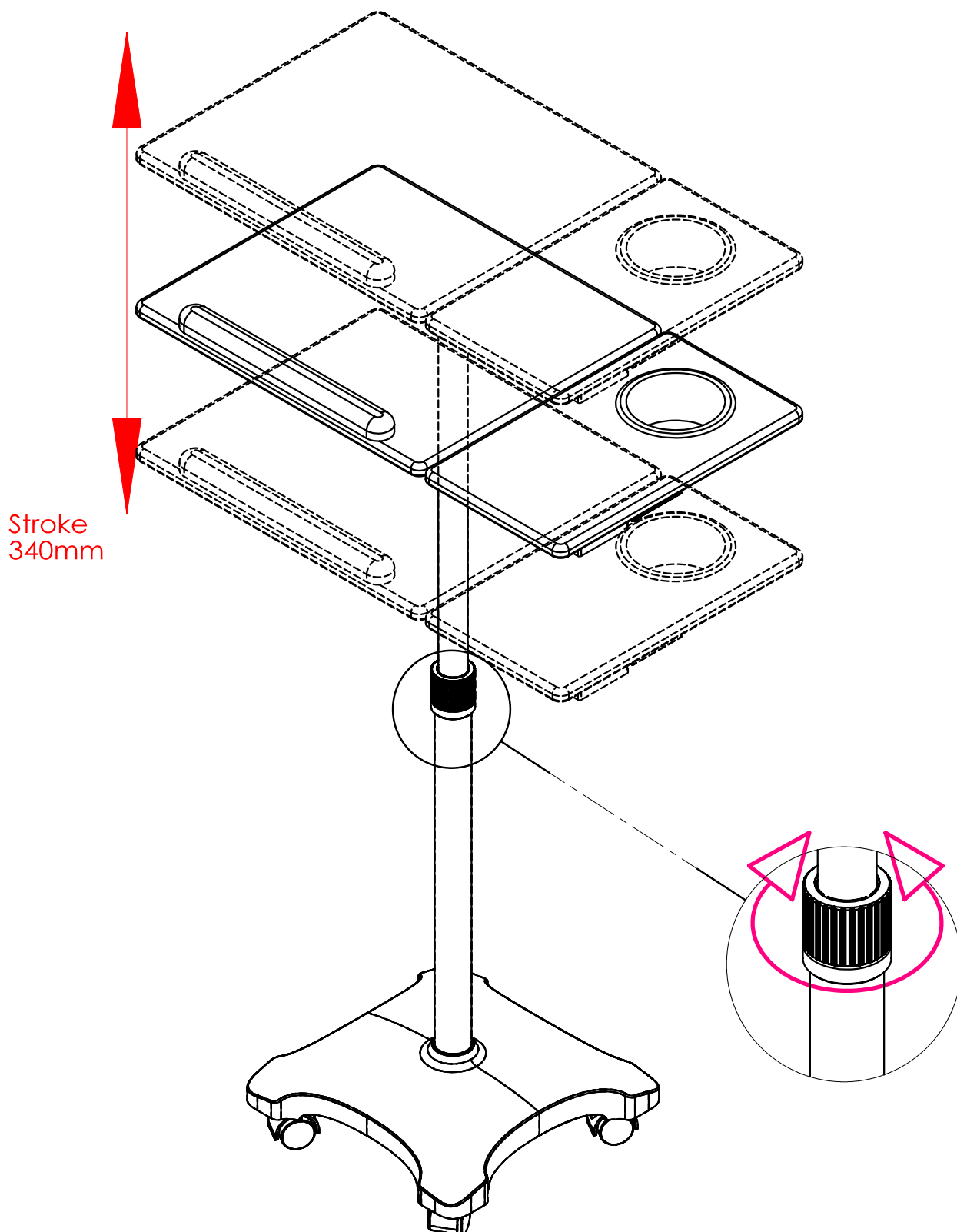
高度調整說明

一手扶住側桌板架以避免桌面快速掉落，逆時鐘施力以鬆開伸縮管的固定旋鈕，

便可將桌面升至置所需的高度。調整至所需高度後，順時針施力以鎖緊伸縮管的固定旋鈕，便可固定桌面。

Height Adjustable Function

One hand hold the bottom of the side table bracket to avoid desktop from falling, another hand loosen the rotary knob in counter-clockwise to lift or lower desktop, and then tighten rotary knob in clockwise to secure desktop.



底座塑膠輪調整：

當底座塑膠輪出現左右鬆動的情況時，
使用(D-A)11mm六角套筒由荷重塊上方將尼帽鎖緊即可固定。
請注意，鎖至塑膠輪螺桿不會搖晃即需停止，
切勿強硬鎖入避免塑膠輪無法移動。

Caster Adjustable Function:

Srew with nut by (D-A) hexagon socket from the top of counter weight till the casters attached steady and won't wobble, must not keep tighten to avoid casters too tight to move smoothly.

